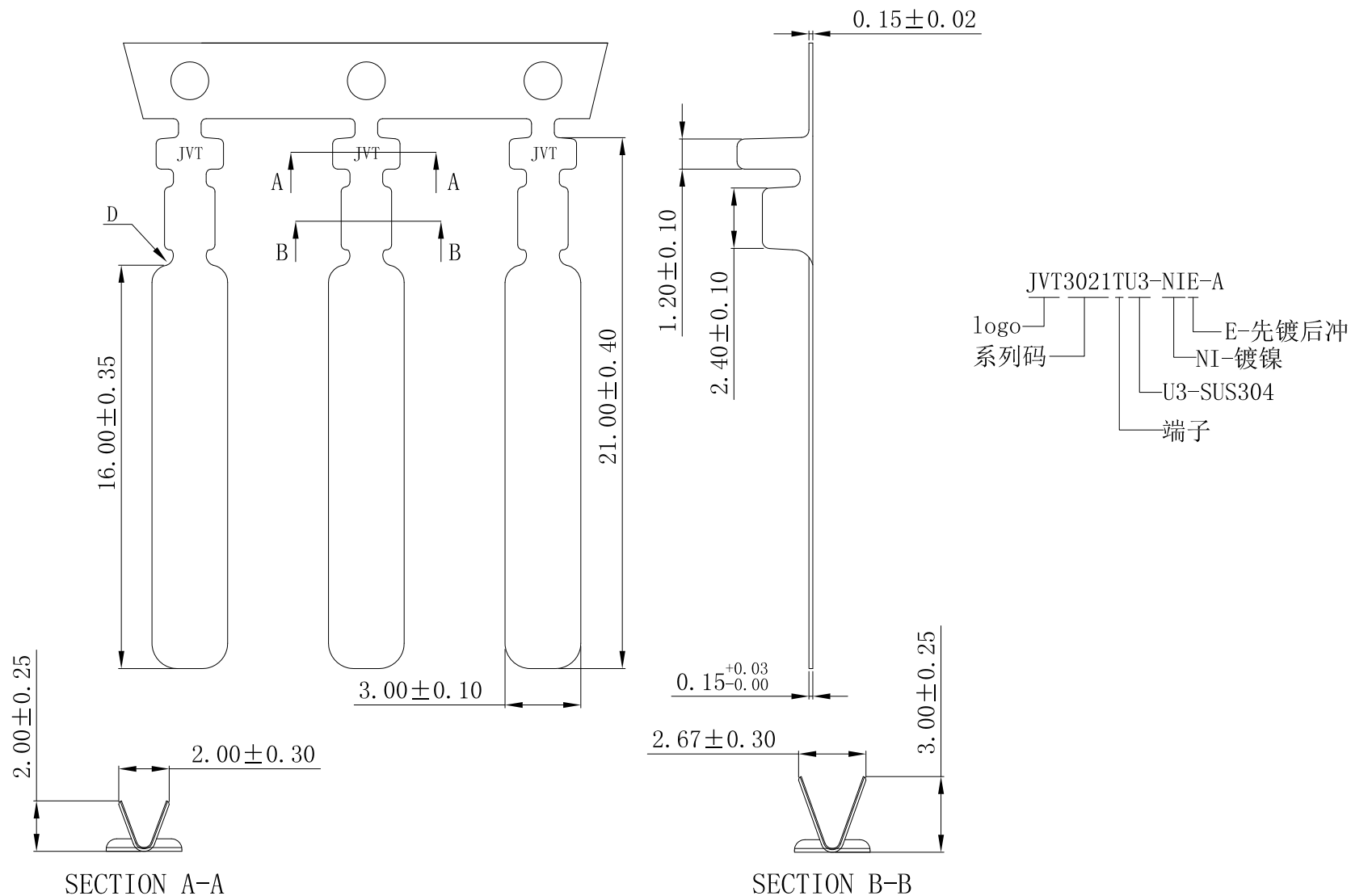
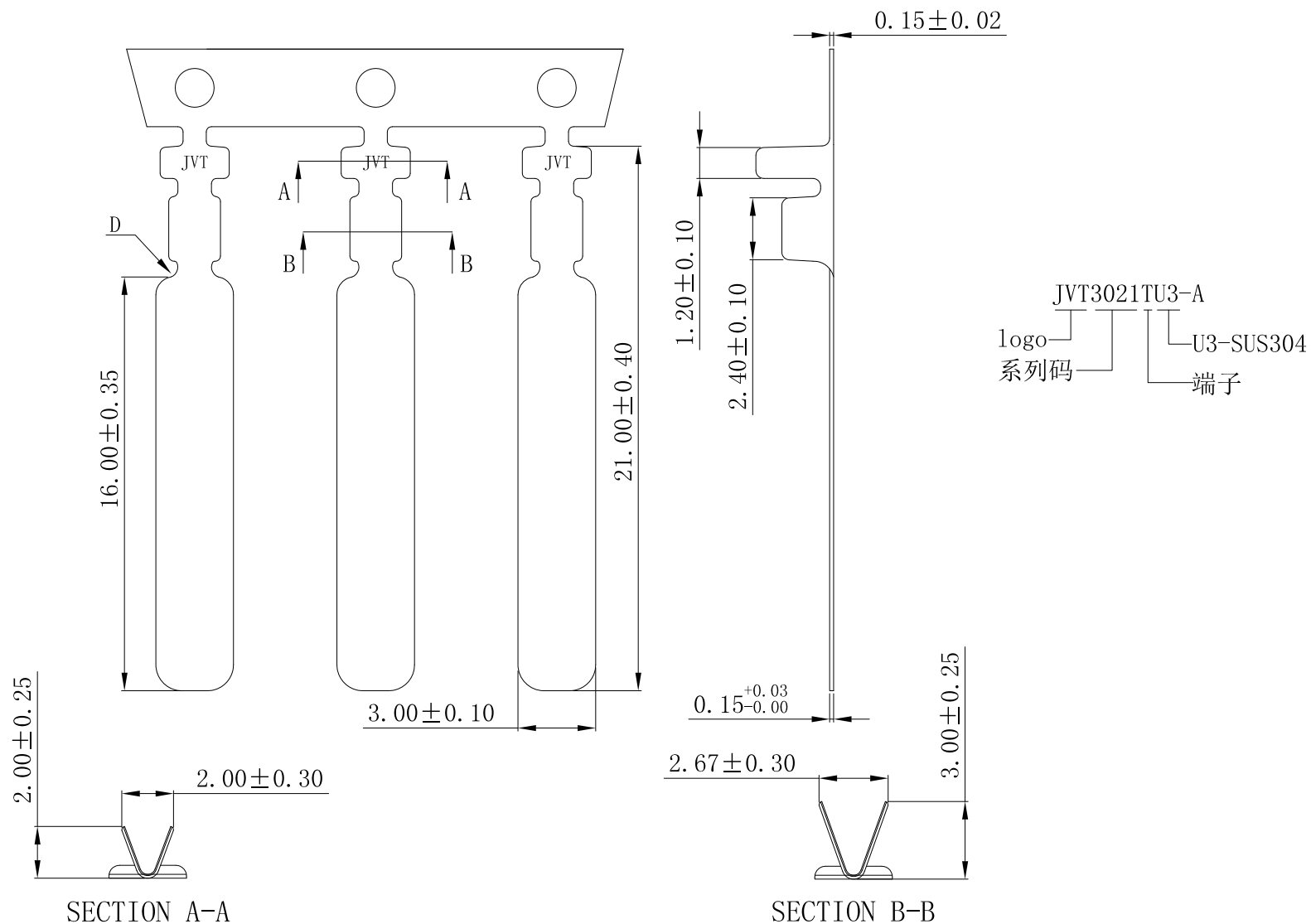


JVT3021T Terminal



JVT3021TU3-NIE-A	SUS 304	Nickel Plating	UL1007 AWG#20~26	1.4mm (Max)
PART NO	Material	Fimish(Pin)	Wire Range	Insulation O.D

JVT3021T Terminal



JVT3021TU3-A	SUS 304	-	UL1007 AWG#20~26	1.4mm (Max)
PART NO	Material	Fimish(Pin)	Wire Range	Insulation O.D