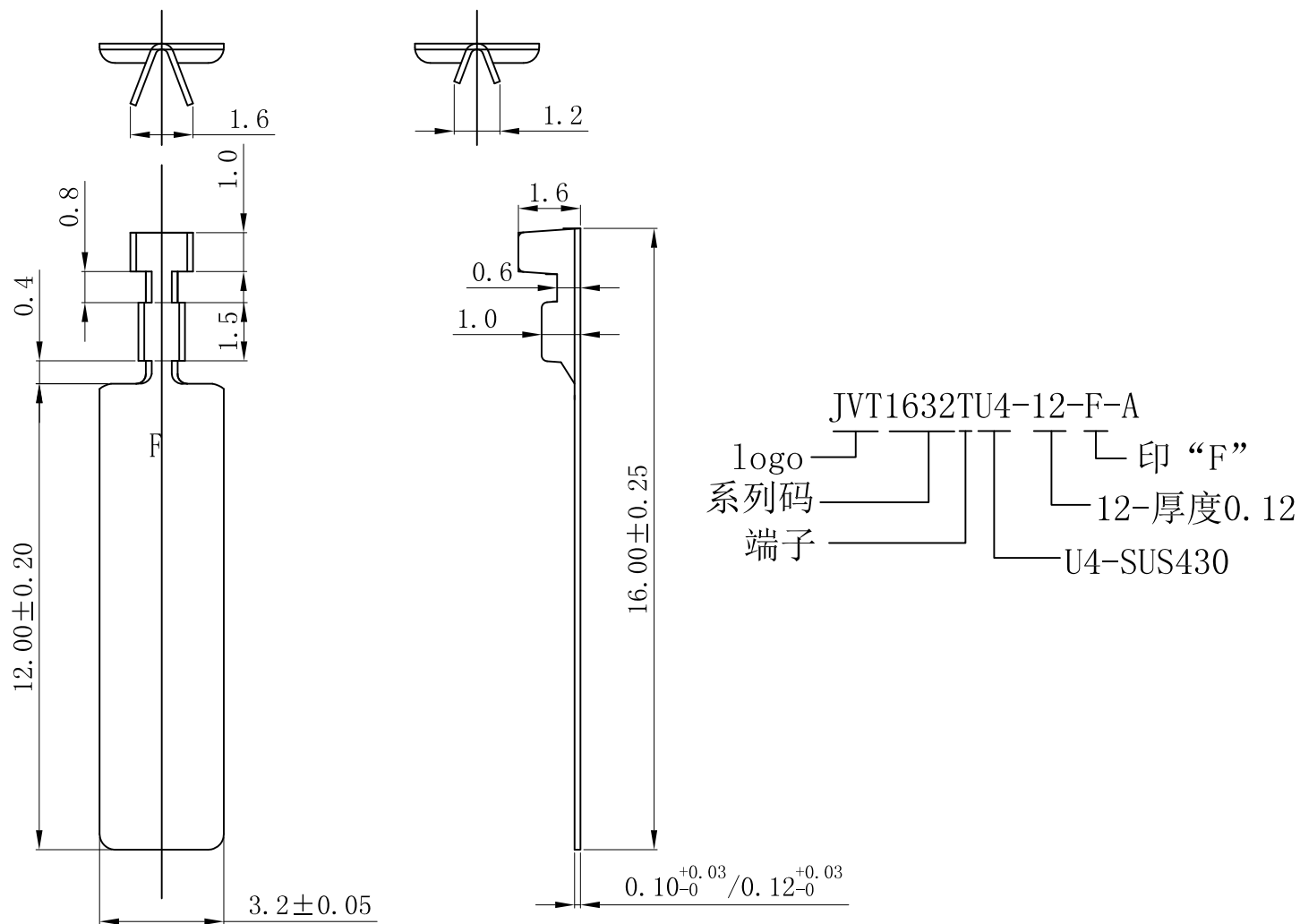


# JVT1632T Terminal



|           |          |             |            |                |
|-----------|----------|-------------|------------|----------------|
| JVT1632TB | SUS430   | -           | AWG#22~28  | 2.4mm (Max)    |
| PART NO   | Material | Finish(Pin) | Wire Range | Insulation O.D |