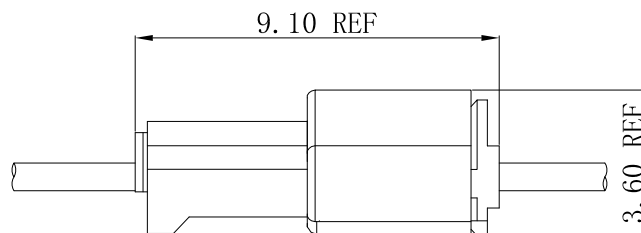


## Specifications

- Voltage rating: 50V AC, DC
- Current Rating: 1A, AC, DC
- Withstand voltage: 500V AC/minute
- Contact resistance: 30mΩ max
- Insulation resistance: 500MΩ min
- Temperature range: -40°C ~ +105°C
- Compliant with RoHS and REACH
- Contact JVT for details

## Assembly layout



**JVT1173 SERIES**

1.5mm pitch wire to wire connector

**JVT1173HRH**

1.5mm Pitch housing

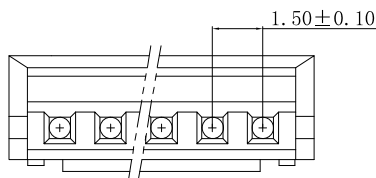
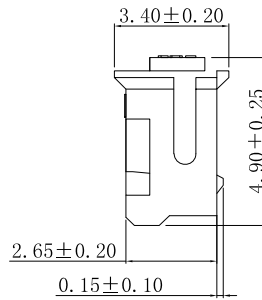
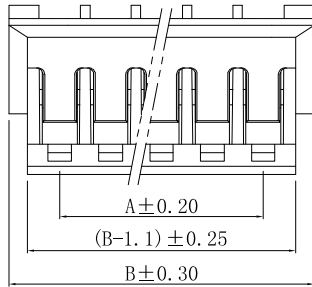
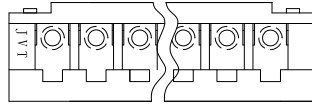
HOUSING

Part No. : JVT1173HNO-XXRH

Material: Nylon 66 UL94V-0

Mates With Part(s): JVT1173 Terminal

JVT1173HNO-XXRH  
Logo  
Series NO.  
Housing  
Circular hole  
PIN NO.  
PA66 UL94V-0



Poles	Dimensions (mm)	
	A	B
02	1.50	4.50
03	3.00	6.00
04	4.50	7.50
05	6.00	9.00
06	7.50	10.50
07	9.00	12.00
08	10.50	13.50
09	12.00	15.00
10	13.50	16.50
11	15.00	18.00
12	16.50	19.50
13	18.00	21.00
14	19.50	22.50
15	21.00	24.00
16	22.50	25.50

Unit:mm

**JVT1173H**

1.5mm Pitch housing

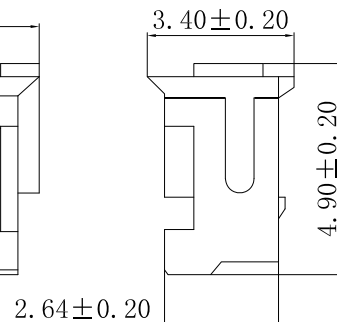
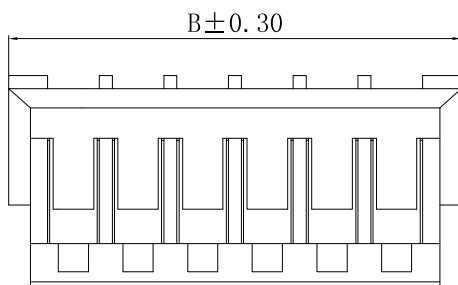
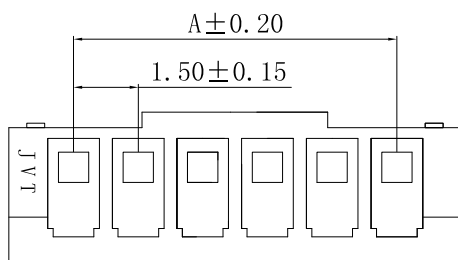
HOUSING

Part No. : JVT1173HNO-XX

Material: Nylon 66 UL94V-0

Mates With Part(s): JVT1173 Terminal

JVT1173HNO-XX  
Logo  
Series NO.  
Housing  
PIN NO.  
PA66 UL94V-0



Poles	Dimensions (mm)	
	A	B
02	1.50	4.50
03	3.00	6.00
04	4.50	7.50
05	6.00	9.00
06	7.50	10.50
07	9.00	12.00
08	10.50	13.50
09	12.00	15.00
10	13.50	16.50
11	15.00	18.00
12	16.50	19.50
13	18.00	21.00
14	19.50	22.50
15	21.00	24.00
16	22.50	25.50

Unit:mm

**JVT1173 SERIES**

1.5mm pitch housing

**JVT1173HW**

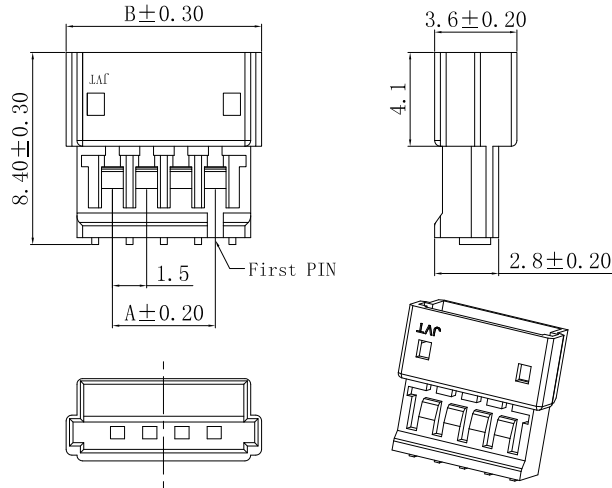
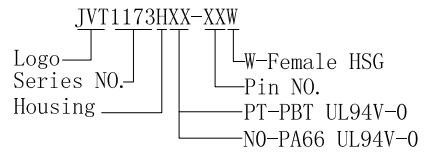
1.5mm Pitch housing

HOUSING

Part No. : JVT1173HXX-XXW

Material: PA66/PBT UL94V-0

Mates With Part(s): JVT1173 Terminal



Poles	Dimensions (mm)	
	A	B
02	1.50	5.55
03	3.00	7.05
04	4.50	8.55
05	6.00	10.05
06	7.50	11.55
07	9.00	13.05
08	10.50	14.55
09	12.00	16.05
10	13.50	17.55
11	15.00	19.05
12	16.50	20.55

Unit:mm

JVT1173HPT-XXW	PBT UL94V-0	JVT1173TP-XXS
JVT1173HN0-XXW	PA66 UL94V-0	
PART NO	Material	Mates With Part(s)

**JVT1173H**

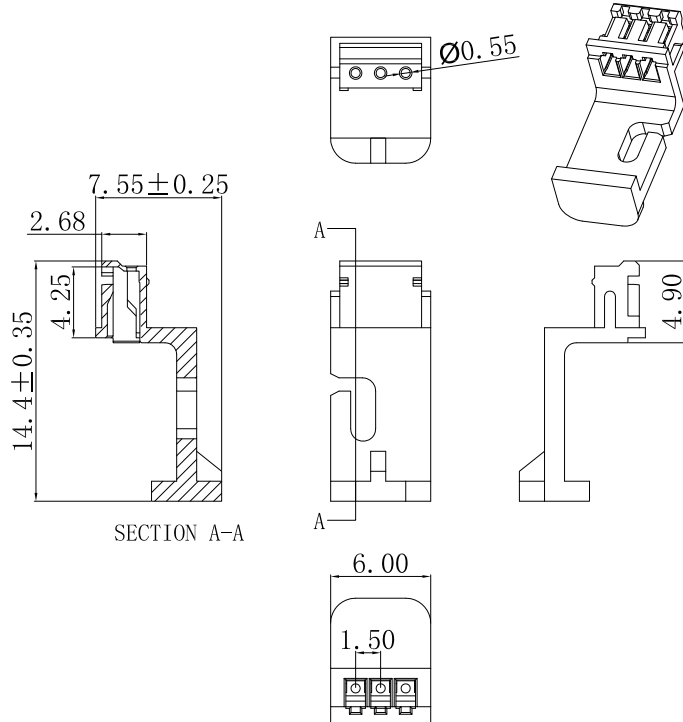
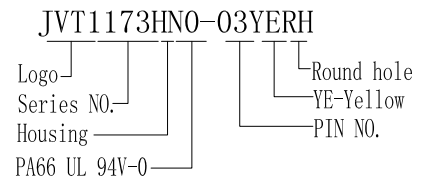
1.5mm Pitch housing

HOUSING

Part No. : JVT1173HN0-03YERH

Material: Nylon 66 UL94V-0

Mates With Part(s): JVT1173 Terminal



**JVT1173 SERIES**

1.5mm pitch wire to wire connector

**JVT1173H**

1.5mm Pitch housing

HOUSING

Part No. : JVT1173HN0-03YEL

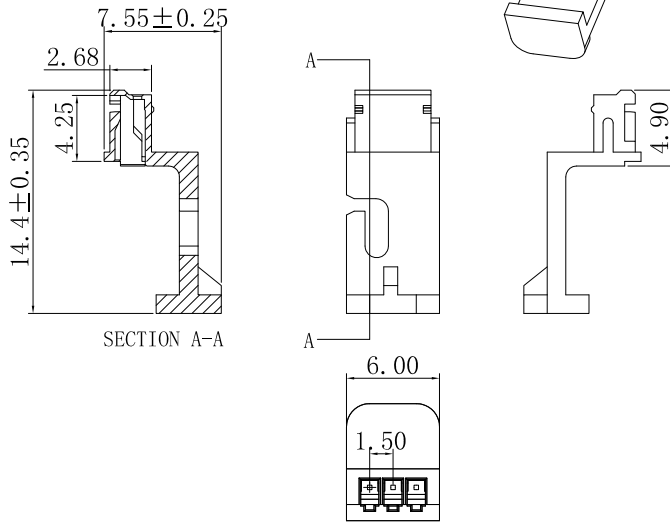
Material: Nylon 66 UL94V-0

Mates With Part(s): JVT1173 Terminal

**JVT1173HN0-03YEL**

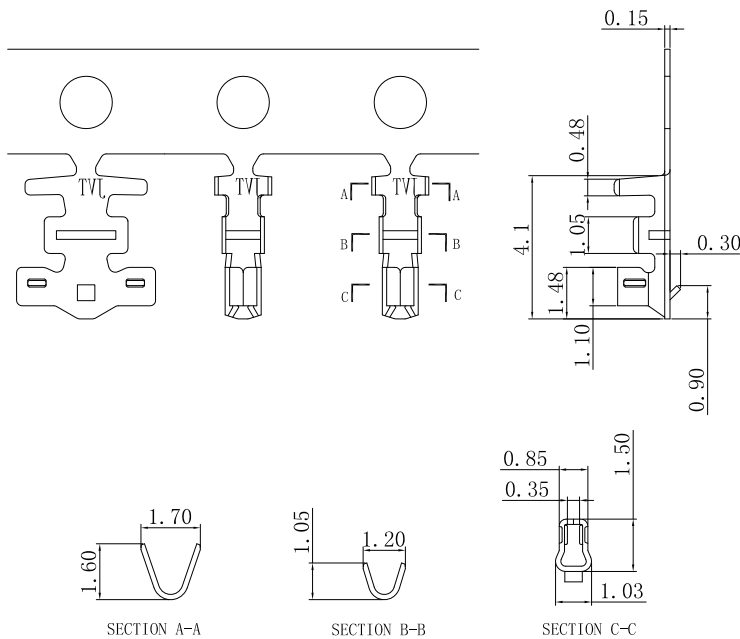
Logo  
Series NO.  
Housing  
PA66 UL 94V-0

With hook  
YE-Yellow  
PIN NO.



**JVT1173T**

1.5mm Pitch Crimp Terminal



**JVT1173TP-SNS**

Logo  
Series NO.  
T-Terminal  
P-Phosphor bronze

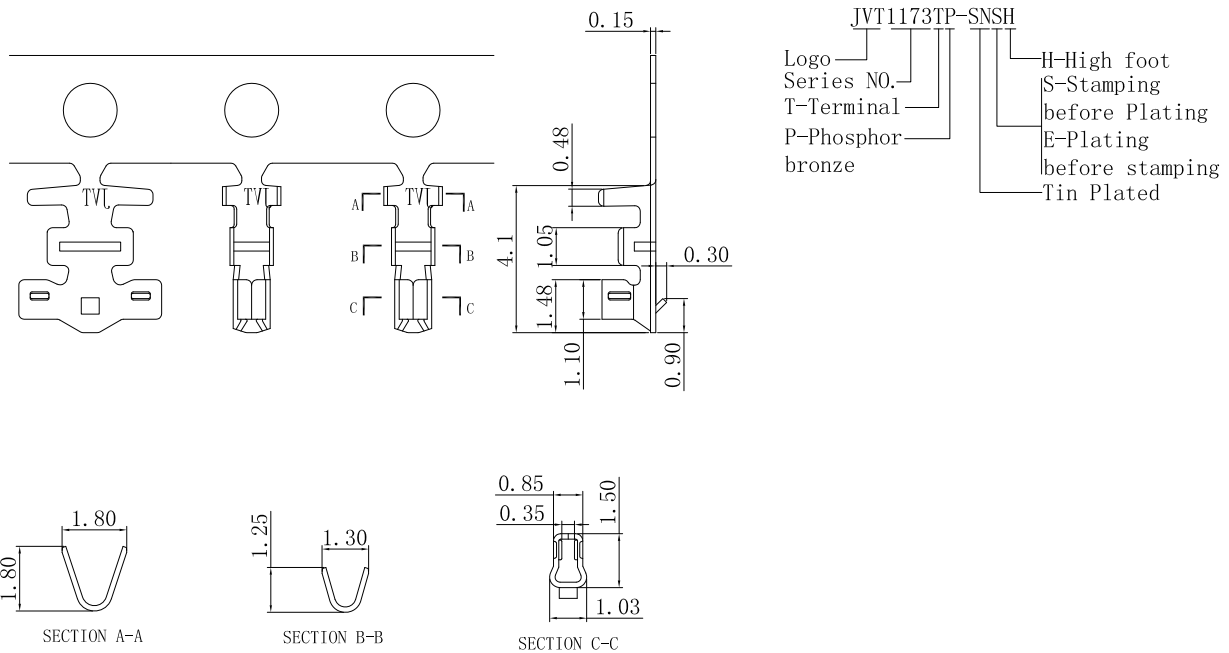
S-Stamping before Plating  
E-Plating before stamping  
Tin Plated

JVT1173TP-SNS	Phos Bronze	Tin Plated	AWG#26~32	1.10mm(Max)	JVT1173 Housing
PART NO	Material	Finish(Pin)	Wire Range	Insulation O.D.	Mates With Part(s)

**JVT1173 SERIES**

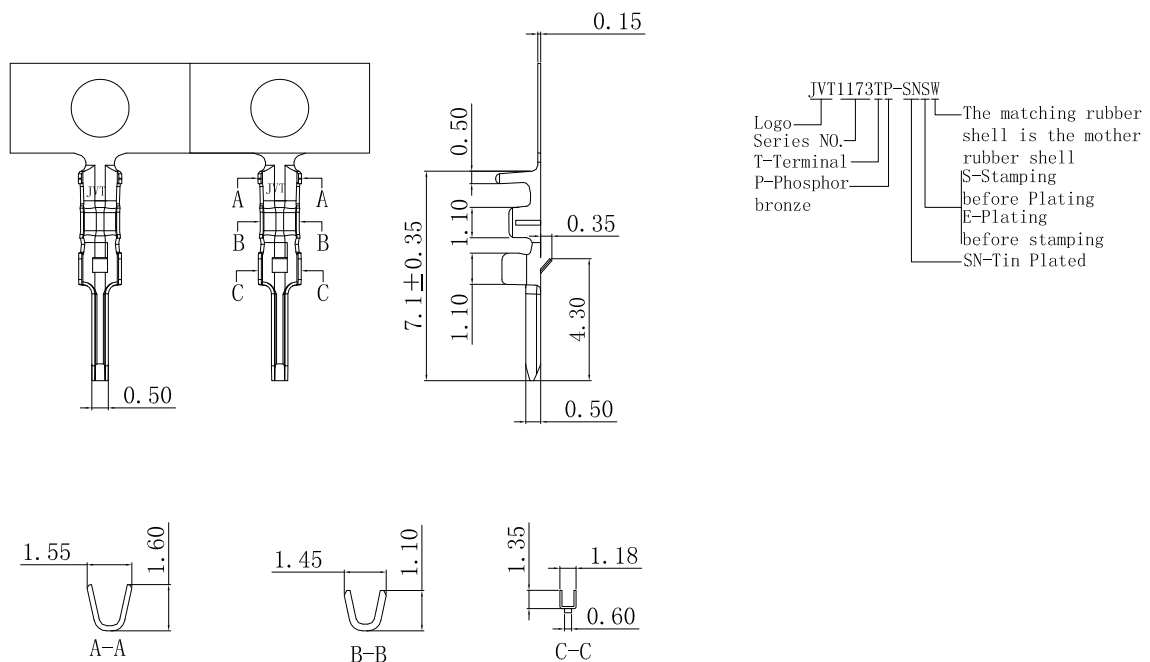
1.5mm pitch wire to wire connector

**JVT1173T** — 1.5mm Pitch Crimp Terminal



JVT1173TP-SNSH	Phos Bronze	Tin Plated	AWG#26~28	1.10mm(Max)	JVT1173 Housing
PART NO	Material	Finish(Pin)	Wire Range	Insulation O. D.	Mates With Part(s)

**JVT1173T** — 1.5mm Pitch Crimp Terminal



JVT1173TP-SNSW	Phos Bronze	Tin Plated	AWG#28~32	0.90mm(Max)	JVT1173 Housing
PART NO	Material	Finish(Pin)	Wire Range	Insulation O. D.	Mates With Part(s)